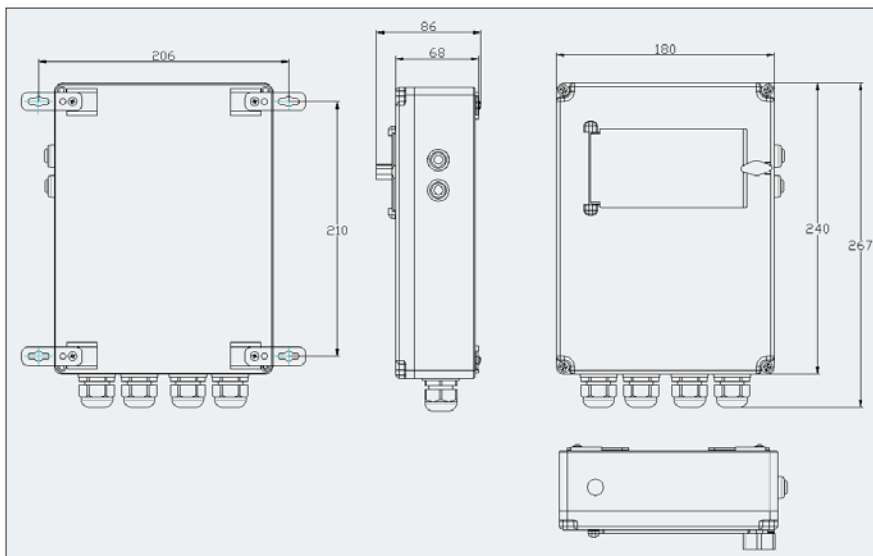




TECHNICAL SPECIFICATION

- The iSOLAR controller is a microcontroller, designed, developed and manufactured for the DAB iCON SOLAR pumps.
- It is suitable for simultaneous AC and DC incoming power supplies.
- Manually or automatically switchable between two power supplies depending on solar irradiation.
- IP56 weatherproof enclosure.
- Suitable for up to 2.4KW pumps.
- AC voltage input range 90 – 260 VAC.
- DC voltage input range 55 – 440 VDC.
- Input connections for 1 or 2 float switches.
- Input connection for pressure switch.
- Input connection for matching flow meter.
- Indication for power on, input power, pump on, pump off, tank full and tank empty.
- Auto operation via 1 or 2 float switches.
- Auto operation via pressure switch.
- Auto off via flow meter.
- Auto operation of generator via volt free contacts.

Dimensions



Dimensions: 267mm (H) x 180mm (W) x 86mm (D)
Weight 1.3kg